



T&S BRASS AND BRONZE WORKS, INC.
 2 Saddleback Cove / P.O. Box 1088
 Travelers Rest, SC 29690

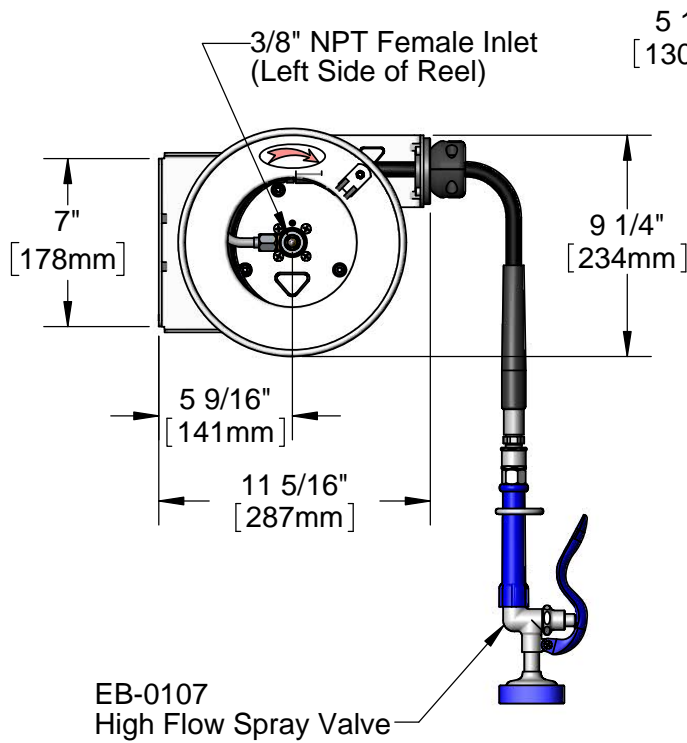
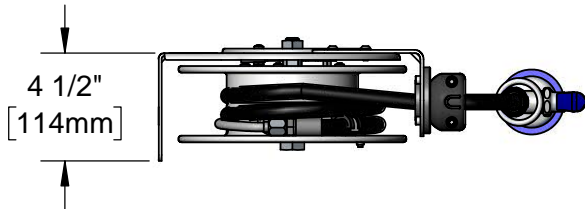
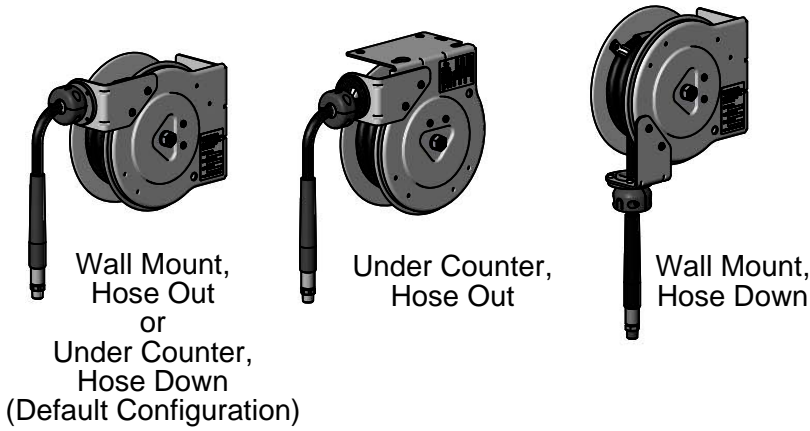
Model No.
B-7102-01

Item No.

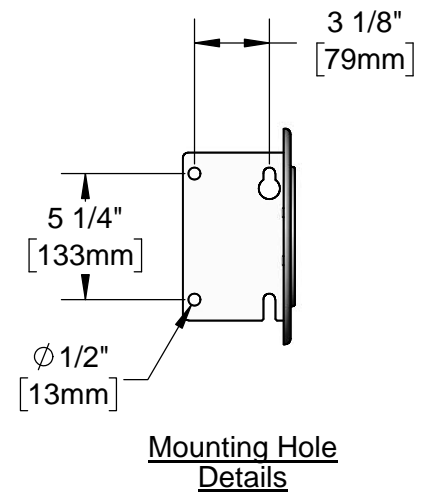
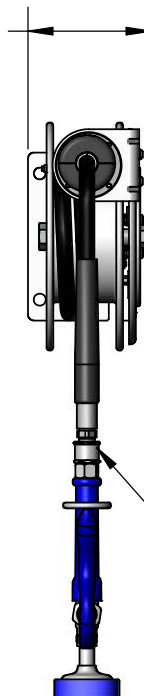
Travelers Rest, SC: 800-476-4103 • Simi Valley, CA: 800-423-0150 • Fax: 864-834-3518 • www.tsbrass.com

This Space for Architect/Engineer Approval

Job Name _____ Date _____
 Model Specified _____ Quantity _____
 Customer/Wholesaler _____
 Contractor _____
 Architect/Engineer _____



5 1/8" [130mm]



019652-40
 3/8" NPT Live Swivel

Product Specifications:
 3/8" x 12 Ft. Open Stainless Steel Reel w/ Blue High Flow Spray Valve & Swivel

Product Compliance:
 NSF 61 Exempt (Non-Potable)
 EPA Act 2005 Non-Compliant (PRSV)



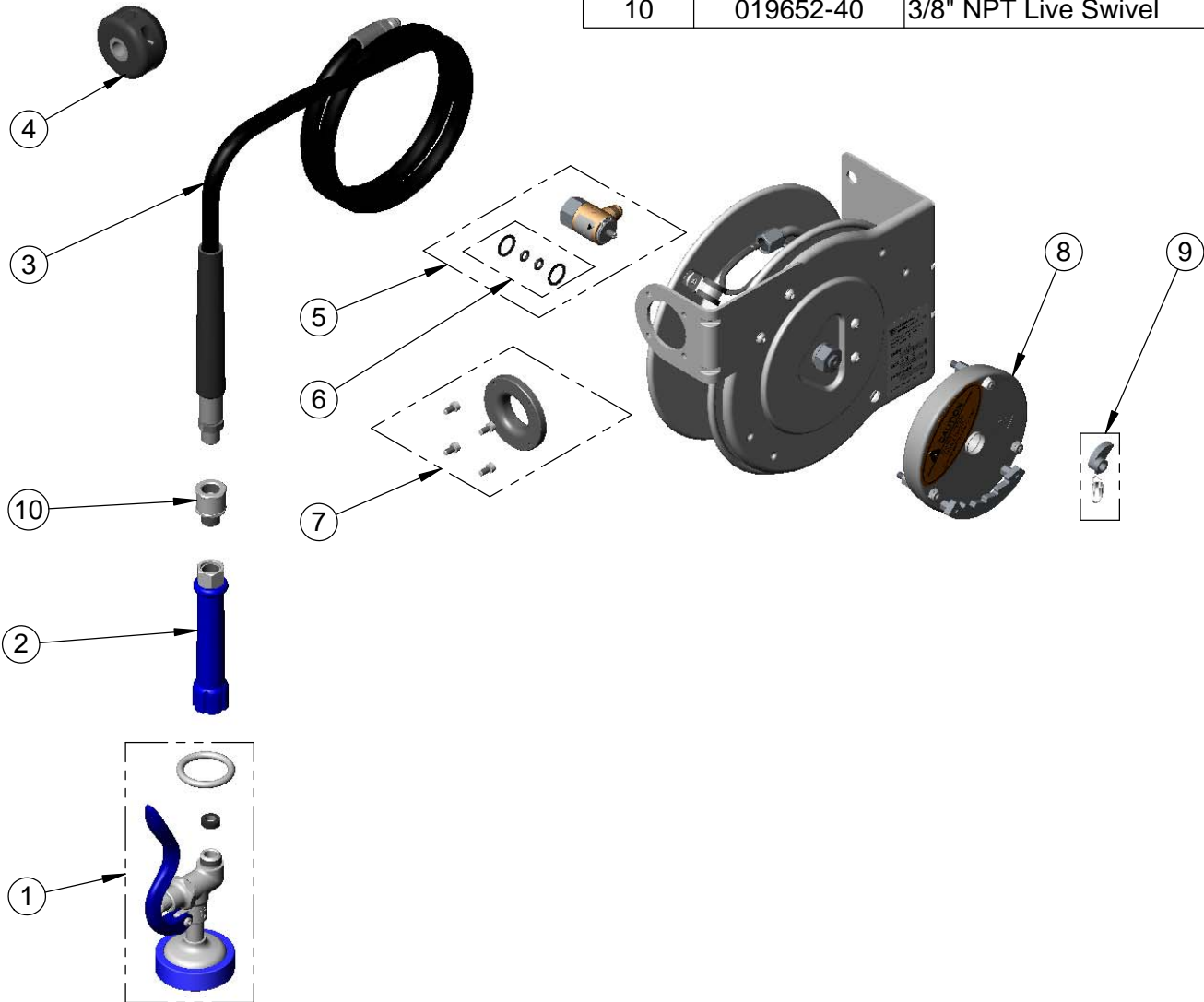
T&S BRASS AND BRONZE WORKS, INC.
 2 Saddleback Cove / P.O. Box 1088
 Travelers Rest, SC 29690

Model No.
B-7102-01

Item No.

Travelers Rest, SC: 800-476-4103 • Simi Valley, CA: 800-423-0150 • Fax: 864-834-3518 • www.tsbrass.com

ITEM NO.	SALES NO.	DESCRIPTION
1	EB-0107	High Flow Spray Valve (Blue)
2	012504-40	Grip Handle (Blue) w/ Washer
3	017938-45	3/8" x 12 Ft. Hose Replacement Kit
4	019246-45	Hose Stop Repair Kit
5	017355-45	Swivel Repair Kit
6	014948-45	O-Ring Replacement Kit
7	017352-45	Guide Bushing Kit
8	017362-45	Spring Assembly
9	017359-45	Ratchet Lever Kit
10	019652-40	3/8" NPT Live Swivel



Product Specifications:
 3/8" x 12 Ft. Open Stainless Steel Reel w/ Blue High Flow Spray Valve & Swivel

Product Compliance:
 NSF 61 Exempt (Non-Potable)
 EPA Act 2005 Non-Compliant (PRSV)